

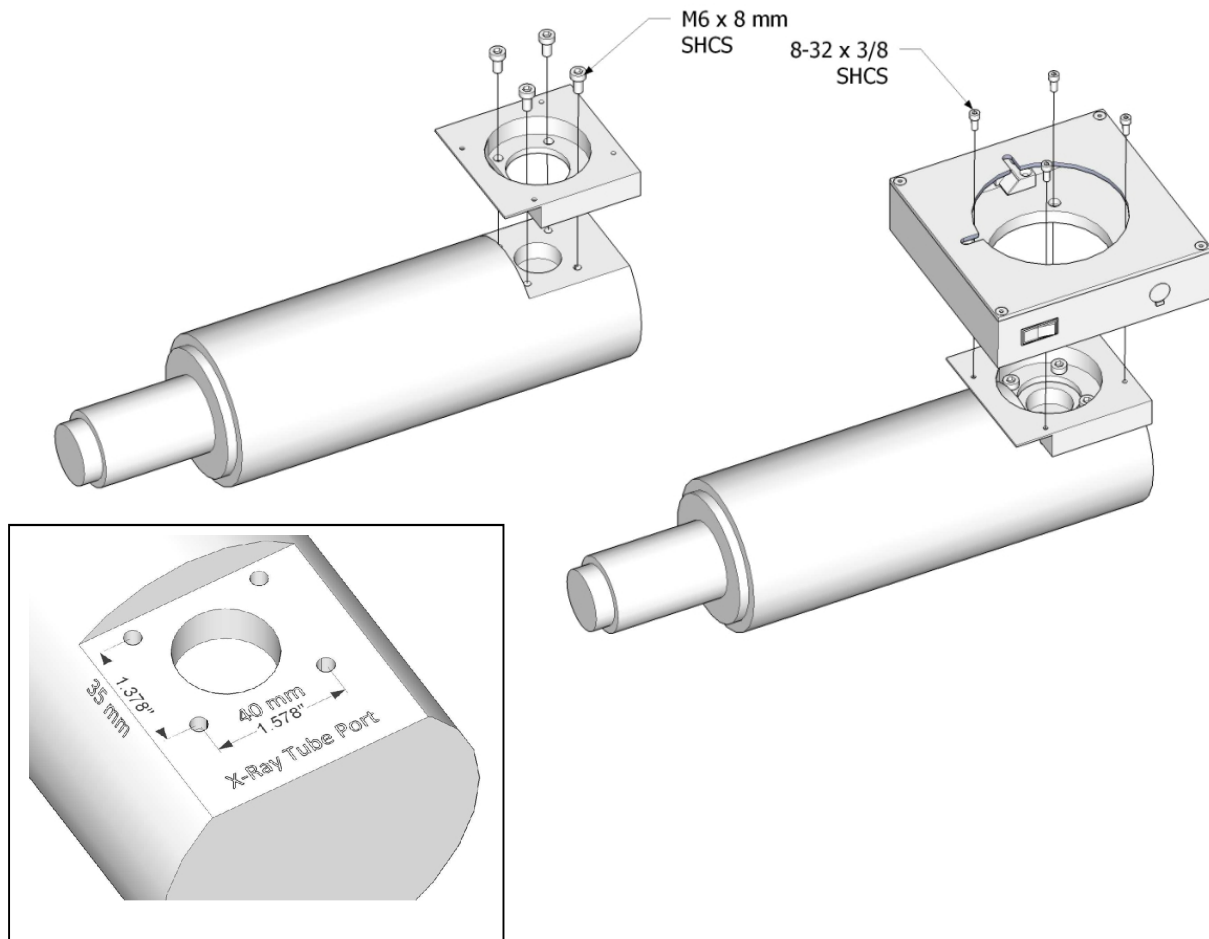
## Mounting Adaptor – XLS Laser Alignment System

Model: C160XLS

Fitment: Comet MXR 160 Series X-Ray Tubes

Package Contents:

- 1 – C160XLS Adaptor
- 4 – M6 x 8mm Socket Head Cap Screws
- 1 – 5mm Hex Wrench
- 4 – 8-32 x 3/8 Socket Head Cap Screws
- 1 – 9-64 Hex Wrench



**X-Ray**  
Solutions Inc

Princeton MN 55371  
Tel: (763) 406-9623